

DROP TOWER

DT-202 series

Drop Tester for Mobile Products

DT-202, 202TB, 202AW

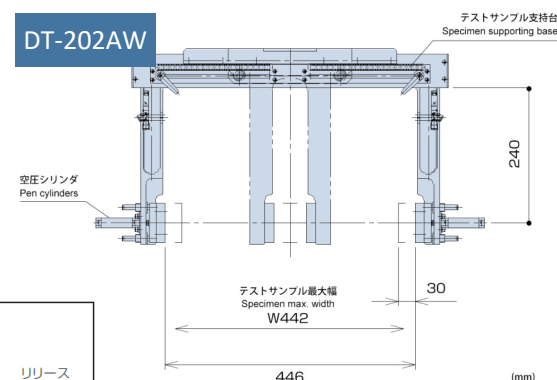
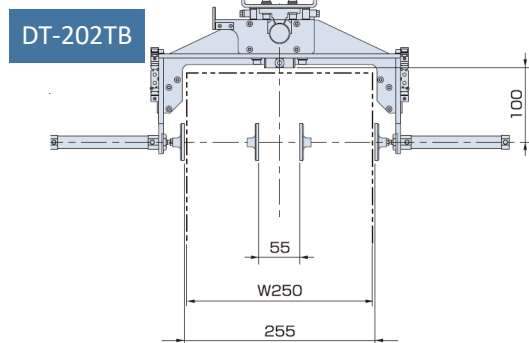
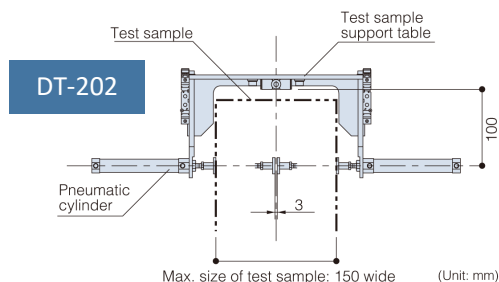
DT-202 is a standard model of drop tester that provides accurate drop tests via a unique drop mechanism for smart phones and other mobile products. The specimen holding system retains the dropping posture of specimens, enabling it to provide drop tests superior in reproducibility. DT-202TB is the drop tester for tablet products etc. DT-202AW is suitable model for wider size product can perform the drop test with adjustable arm width of chuck.

Features

- Specialized for specimen from light to large
- High Reproducibility
- Easy Maintenance for Long Term Usage
- Easy-to-Use Test Settings
- Easy-Installation to any Location
- Simple Setting by Simple Construction



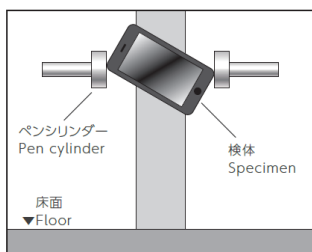
DT-202AW



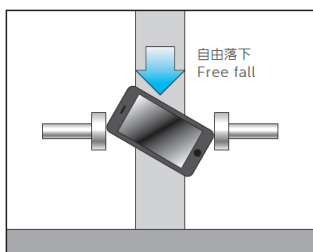
Drop Movie of DT-202

Drop Mechanism

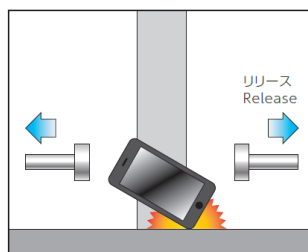
Specimen Holding Drop System by DT-202/205



① 製品保持
Holding before test.



② 落下中(保持)
Holding during drop.



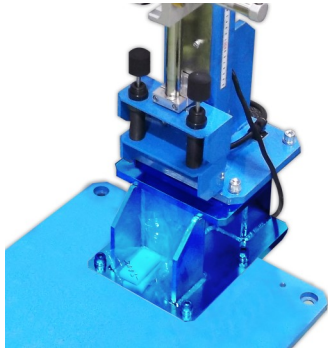
③ リリース
Release before impact.

Specification

Model	DT-202	DT-202TB	DT-202AW
Test sample maximum weight (kg)		2	
Drop height range (mm)		250 ~ 2000	
Drop height setting method	By the scale and setting guide		
Drop motion of chuck	By the permanent electromagnetic holder		
Holding for test sample	By the pneumatic pen cylinder		
Chuck arm width (mm)	3 - 150 (fixed width)	55 - 255 (fixed width)	57 - 446 (adjustable width)
Dimension of tester (mm)	W600 × D500 × H2382	W600 × D616 × H2382	W600 × D800 × H2382
Mass of tester (kg)	about 80		About 95
Base thickness (mm)	16		
Feed air pressure	0.49MPa or higher, 1.2dm ³ or more (when operate 6 times/min)	0.49MPa or higher, 4.3L/min or more (when operate 10 times/min)	
Power supply	AC100 ~ 240V, single phase, 5A		
Operational temperature (degree)	5 ~ 35		
Option	Remote controller / air compressor / Extension stand for shock absorber / High Speed Camera		

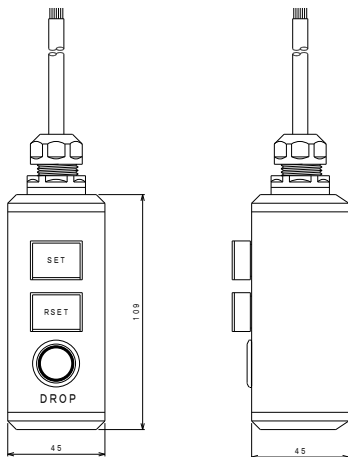
Options for DT-202, DT-205

Extension Stand for Shock Absorber Height



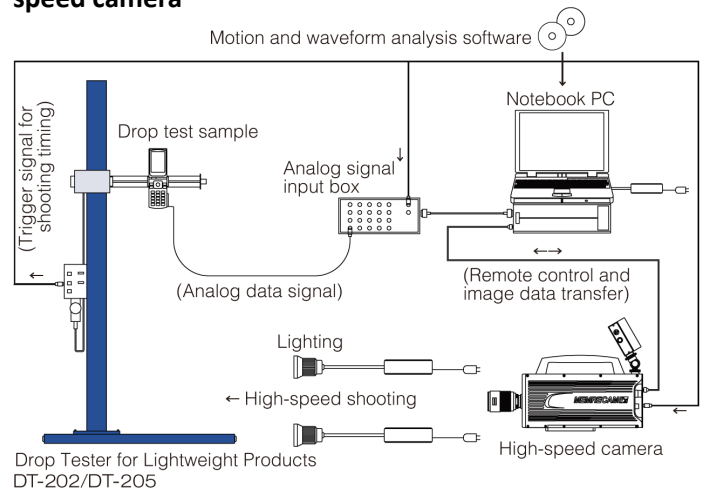
To avoid the rebound shock of specimen to pen-cylinders on specimen holding jig after the impact, you can offer us to optional the extension stand. Height of shock absorber with stand will be up to 420mm from drop base.

Remote Handy Controller



For smoothly operation with DT-202 series, you can select the remote handy controller as option.

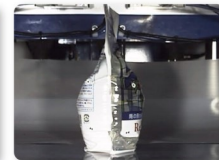
Sample configuration of analysis system with high-speed camera



When an analysis system is built up using a high-speed camera, "shocks" can be observed visually. (High-speed shooting of a PCB under drop test)



• Plastic bottle



• Household detergent (Soft package)



• Cellular phone (Folding type)



SHINYEI TECHNOLOGY CO., LTD.

Tsukuba Office B47-11, Katoridai, Tsukuba, Ibaraki, 300-2657, JAPAN

Tel: +81-29-848-3571 FAX: +81-29-848-3572

International Sales Office

Shinyei BLDG. 5F, 77-1 Kyomachi, Chuo-ku, Kobe 651-0178, JAPAN

Tel: +81-78-392-6903 FAX: +81-78-332-1619